

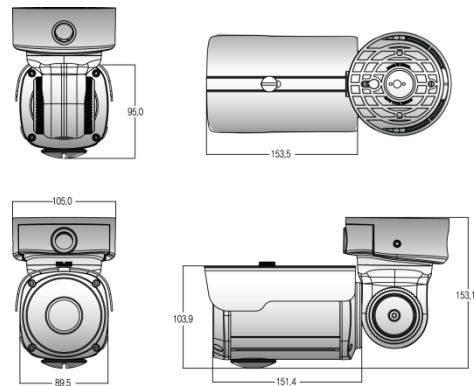
# 4MP

## ADVANCED IR LED BULLET CAMERA

1/3" CMOS image sensor / High Definition IP Camera Module  
 IR LED 08 pcs / Upgraded Waterproof Housing (IP 68 rating)  
 DNR (Digital Noise Reduction) / D-WDR (Digital Wide Dynamic Range)  
 Day/Night switch / Easy Installation  
 ICR V/F lens, DC Auto IRIS V/F Lens, DC Auto IRIS & TDN V/F Lens  
 (Focal Length : 2.8~12mm)



### DOME DIMENSIONS (mm)



Specification	NIR P4342V-B
Resolution	4MP High Definition IP Camera Module
Sensor	1/3" CMOS image sensor
Image Output	Main stream : 2560*1440@20fps; Auxiliary stream and third stream optional
Video Bite rate	32Kbps~8MKbps
Electronic shutter	Auto (1/25 to 1/10000)
Day/Night switch	Auto/color/B&W (Built-in IR_CUT)
DNR	2D, 3D
WDR	Support DWDR
Video Adjustment	Sharpness, Brightness, Saturation, Contrast Adjustable
Lan	10/100BaseT Ethernet auto sensing
Motion detection	Multiple detection zones, variable sensitivity levels
Screenshots	JPEG, capture resolution is the max coding resolution
Security	Password protection and water marker
Mobile APP	VSSMOBILE for both iPhone and Android system phone
Interface protocol	ONVIF/CGI
Power Supply	DC12V/POE(-P)
Power Consumption	<1.7W